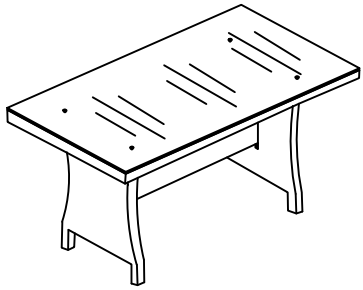





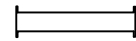



DESCRIPTION

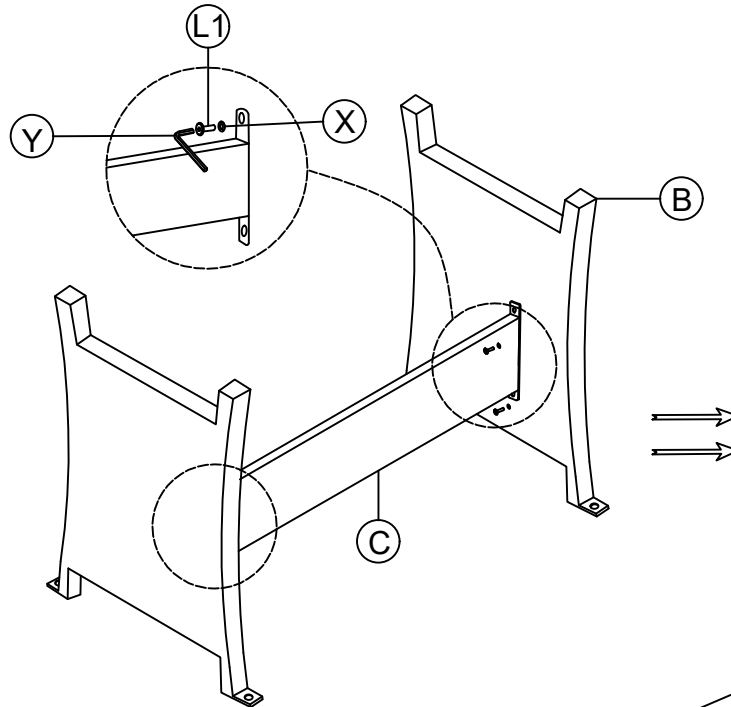


ASSEMBLY INSTRUCTIONS

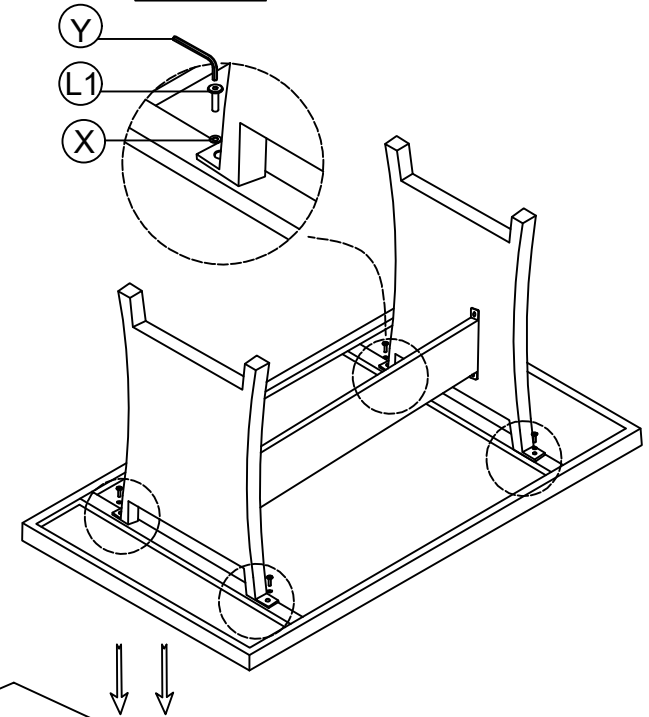
HARDWARE

No.	Item	Detail	Quantity
1	X		x8
2	Y		x1
3	L1	 M6x25mm	x8
4	A		x1
5	B		x2
6	C		x1
7	G	 Glass	x1

Step 1



Step 2



Step 3

