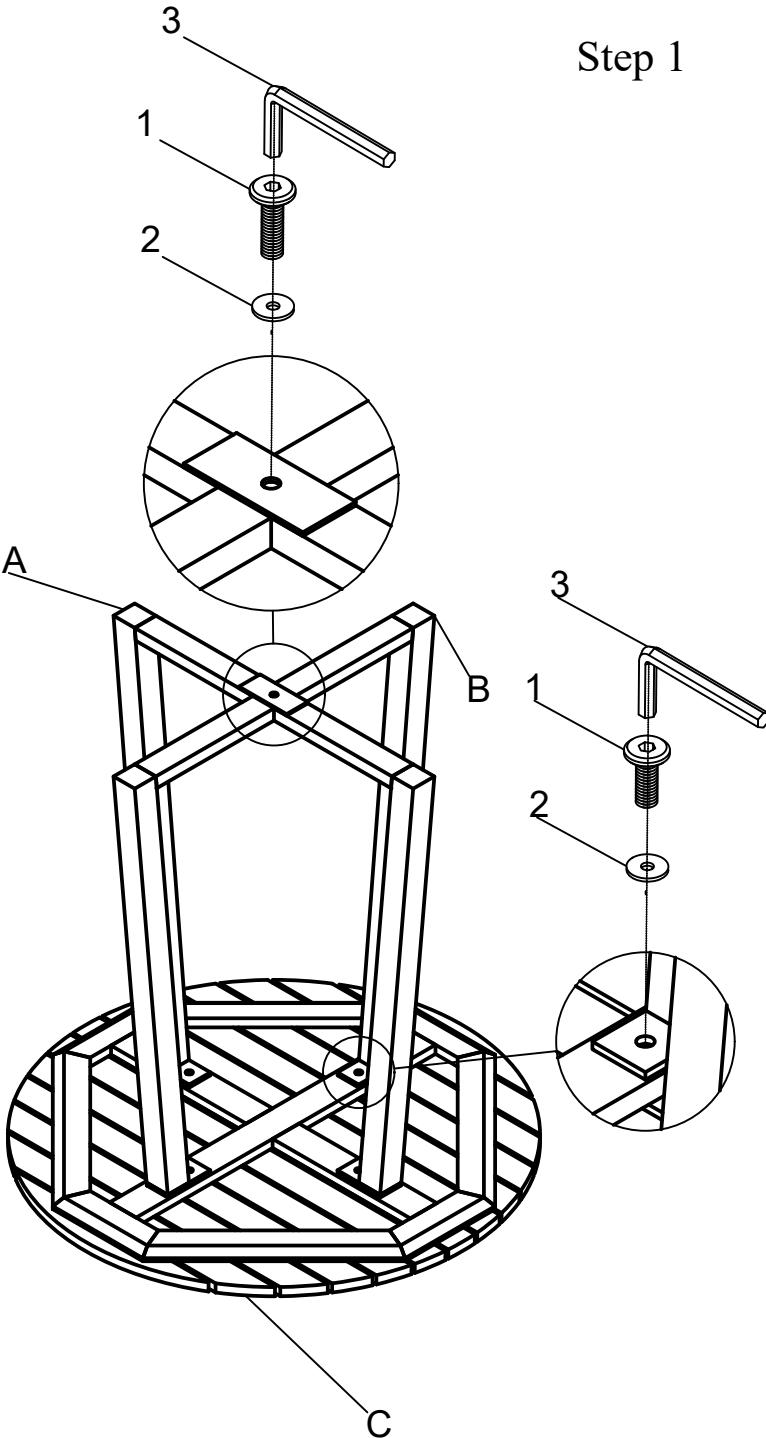


ASSEMBLY INSTRUCTIONS

Item No: Table

Thank you for purchasing this quality product.



Step 1

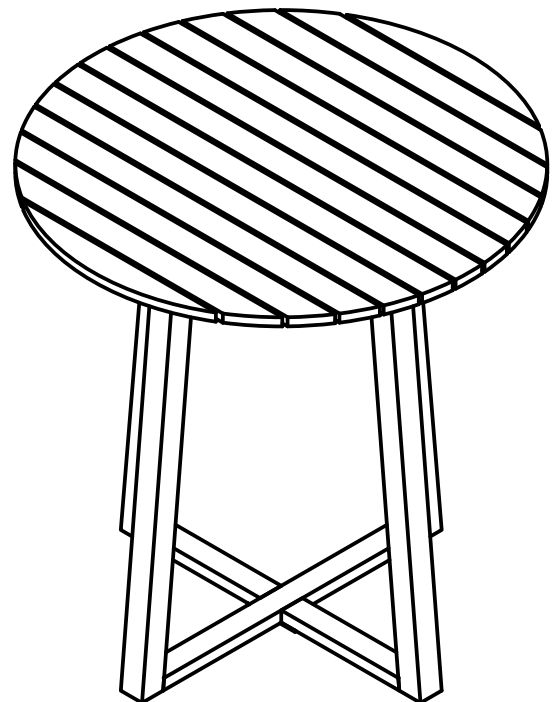
PARTS LIST:

No.	Description	Sketch	Quantity
1	Leg A		1PC
2	Leg B		1PC
3	Table top C		1PC

HARDWARE LIST:

No.	Description	Sketch	Size	Quantity
1	Bolt 1		M6*20	5PCS
2	Flat Washer 2		Ø6*16	5PCS
3	Hexagon key 3		4mm	1PC

Step 2



IMPORTANT NOTE

Do not tighten screws/bolts until all completely assembled.

Thank you

MADE IN VIET NAM