




# ASSEMBLY INSTRUCTIONS






## Item No: Sofa

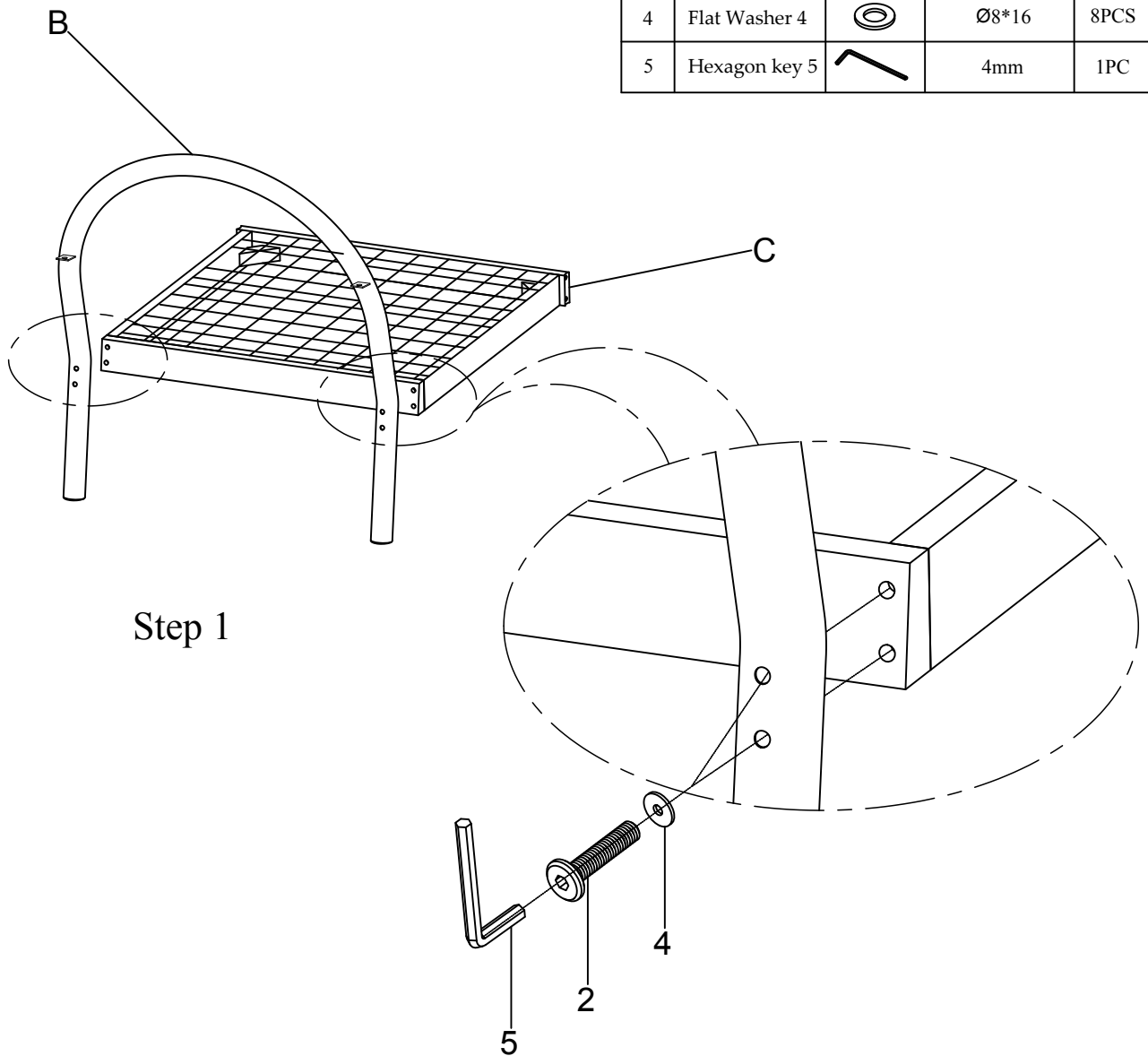
Thank you for purchasing this quality product.

### PARTS LIST:

No.	Description	Sketch	Quantity
1	A		1PC
2	B		1PC
3	C		1PC

### HARDWARE LIST:

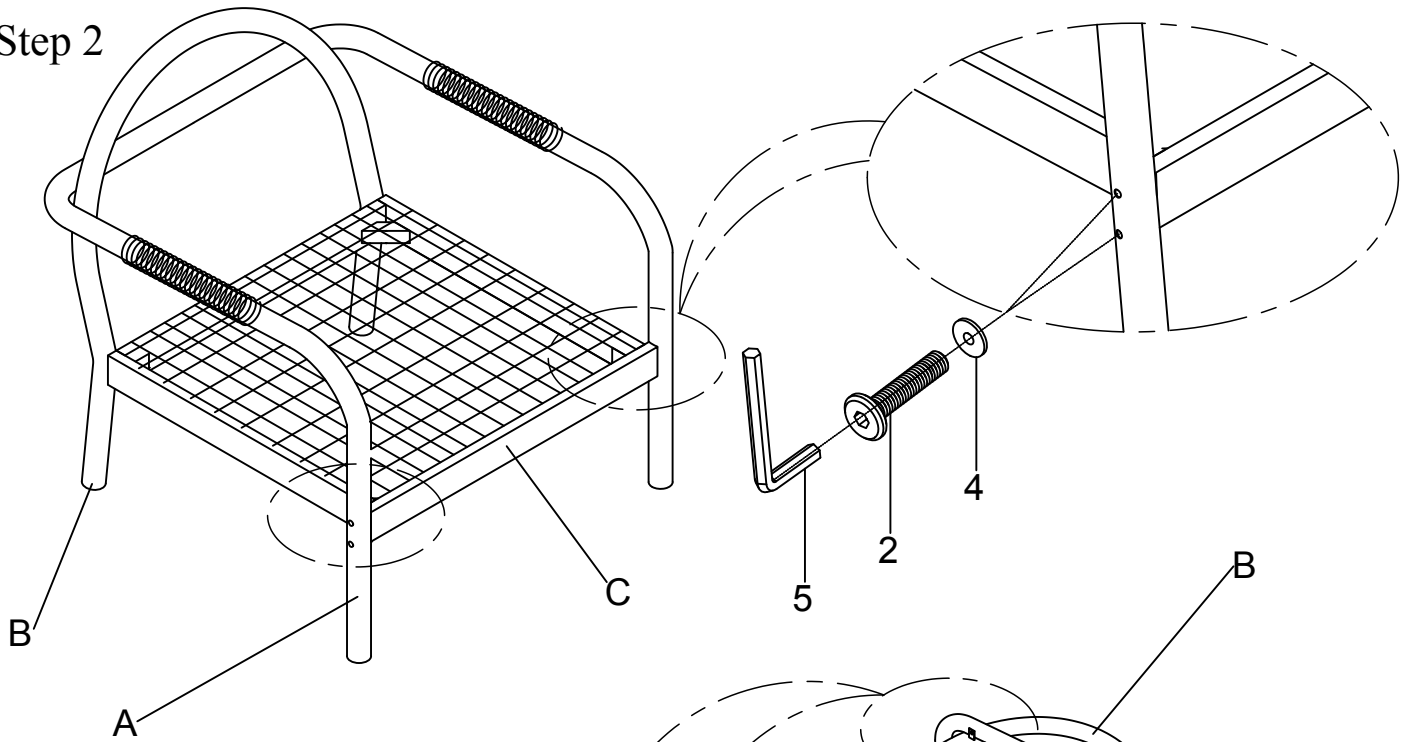
No.	Description	Sketch	Size	Quantity
1	Bolt 1		M6*20	2PCS
2	Bolt 2		M8*60	8PCS
3	Flat Washer 3		Ø6*16	2PCS
4	Flat Washer 4		Ø8*16	8PCS
5	Hexagon key 5		4mm	1PC



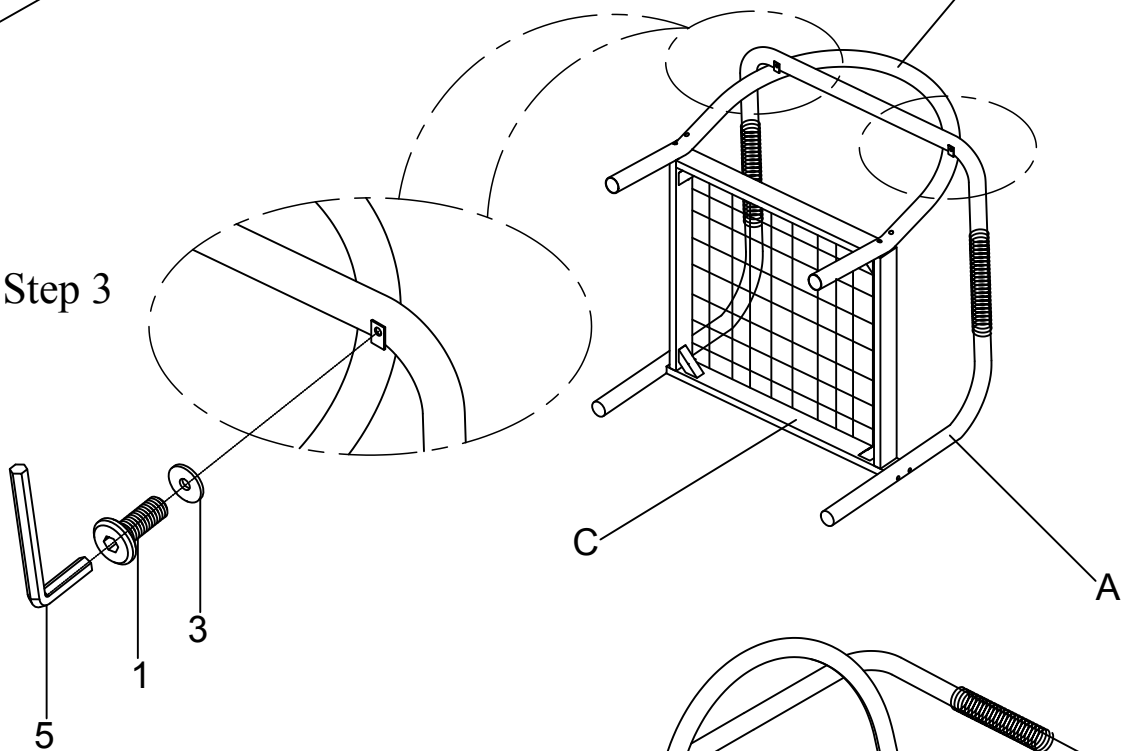
Step 1

**ASSEMBLY INSTRUCTIONS**  
**Item No: Sofa**

Step 2



Step 3



Step 4

